



Typical Applications

- Process Water
- Waste Water
- Cooling Water
- Drinking Water
- Solvents
- Resins
- Paints
- Oils
- Coolants
- Chemicals

Industries Served

- Petro Chemicals
- Automotive
- Machining
- Plastic
- Food/Beverage
- Paint
- Printing
- Pulp & Paper
- Pharmaceutical
- Environmental

Features

- Accomodates No.1 bag, size 7" D x 17" OAL
- Continuous flow design up to 90 US gpm
- Standard 2" FNPT connection
- Side entry design
- Withstands 150 psig @ 225° F
- High capacity-low pressure drop
- Easy bag change-out
- Compact & Customizable design

Options

- 2 1/2" and 3" connection available in NPT Male/Female or flange housing
- Available in Carbon Steel, 304 Stainless Steel and 316 Stainless Steel
- Adjustable robust tripod stand design
- Displacement balloon for low product loss and quick bag replacement
- Backflush restrainer to prevent bag rupture due to shock loading.

SAMPSON Filter Vessels provide an economical solution to a variety of filtration needs. Its cost-effective compact design and the connection possibilities allows easy installation and maintenance in any configuration. SAMPSON Filter Vessels are constructed in the highest quality material and standards which allows us to fully guarantee our products' performance which provides you with consistent reliability year after year.



- Efficient
- Durable
- Available from Stock

Tel: 514-326-8852
Fax: 514-326-8961

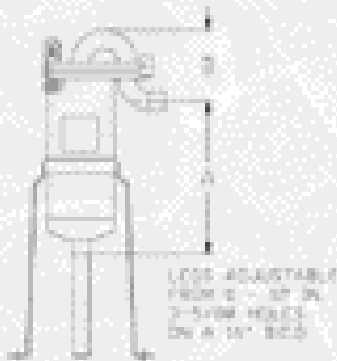
Environmental
Remediation
Equipment Inc.
8529 Lafrenaie
Montréal, Québec
Canada, H1P 2B3
Web:
www.ereinc.com
email:
sales@ereinc.com





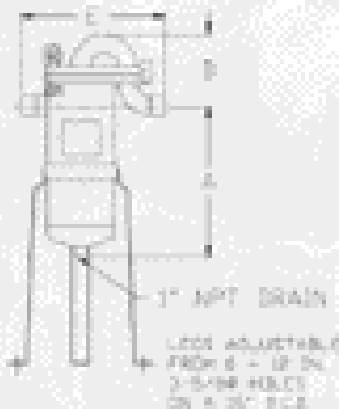
ERS-90

TOP ENTRY

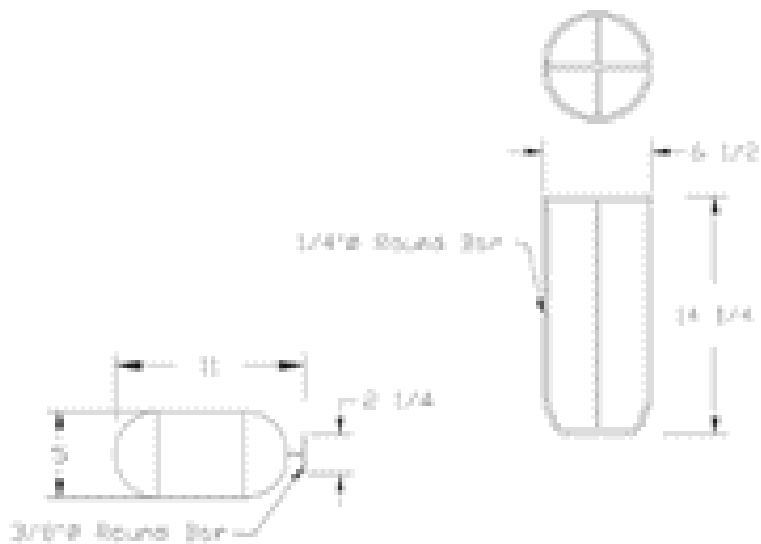


SID.	FITTING SIZE	A	B	C	D	E
		2" FNPT	16-1/4	9	10-1/4	4-5/8
	2-1/2" FNPT	15-3/4	11	12-3/8	4-5/8	17
	3" FNPT	16	12-3/4	14	4-5/8	18-11/16

SIDE ENTRY



OPTIONS



DISPLACEMENT BALLOON

BACKFLUSH RESTRAINER

SID.	FITTING SIZE	A	B	C	D	E
		2" FNPT	16-1/4	9	10-1/4	4-5/8
	2-1/2" FNPT	16-1/2	11	12-3/8	4-5/8	18-5/8
	3" FNPT	16	12-3/4	14	4-5/8	20-1/4

SHIPPING WEIGHT
VOLUME
DESIGN PRESSURE

95 lbs.
4-1/4 US. gal.
150 psig. @ 225 °F